

BENTLEY MK. VISECTION HPROPELLER SHAFT AND UNIVERSAL JOINTS

Containing:-

- GROUP 1 PROPELLER SHAFT, FRONT
- 2 PROPELLER SHAFT, REAR
- 3 SUPPORT, CENTRE BEARING

KEY TO CHASSIS NUMBERS

Used on	A, B, C, D, E, F, G Series	
" "	B-HP 2 - 250	
" "	B-HR 1-117, 123-131, 135-145, 149, 153-163	= F
" "	B-HR 119-121, 133, 147, 151, 165 onwards	= G
" "	A, B, C Series	
" "	B-DA 2 - 500	
" "	B-DZ 1- 471	= H
" "	B-DZ 473 onwards	= J

GROUP H1. PROPELLER SHAFT, FRONT

Comprising

BEARING, assembly, consisting of	1	RG 3473	1	
Bearing, ball, Hoffman or		RG 4454	1	A
Bearing, ball, Ransome and Marles or		RG 6589		A
Bearing, ball, Fischer		RG 7084		A
Housing		GB 5305	1	
Baffle		GB 5306	1	
BOLT, .437" dia., flanges	X. 2A	KB 8858/Z	8	
FLANGE, coupling, front to rear	2	GB 4386	1	
KEY, Woodruff, coupling flange, .1875" wide	X.18	KC 515/Z	2	B
KEY, Woodruff, coupling flange, .1880" wide		KC 516/Z		
KEY, Woodruff, coupling flange, .1885" wide		KC 517/Z		
KEY, Woodruff, coupling flange, .1890" wide		KC 518/Z		
NUT, centre bearing	3	GB 3159	1	
NUT, coupling flange, retaining	X.24	K 4340/Z	1	
NUT, half, .437" dia., flanges	X.24	K 4319/Z	8	
RETAINER, grease, front	4	GB 5308	1	
RETAINER, grease, rear	5	GB 5307	1	
SHAFT, propeller, assembly, including	6	RG 3113	1	
Journal assembly		RG 6389	1	
Ring, snap (included in journal assembly)		K 3/7/GB.19	4	
WASHER, Grover, .437" dia., flanges	X.81	K 4511/Z	8	
WASHER, locking, centre bearing nut	7	RG 3189	1	
WASHER, locking, coupling flange retaining nut	X.89	KB 2964	1	

GROUP H2. PROPELLER SHAFT, REAR

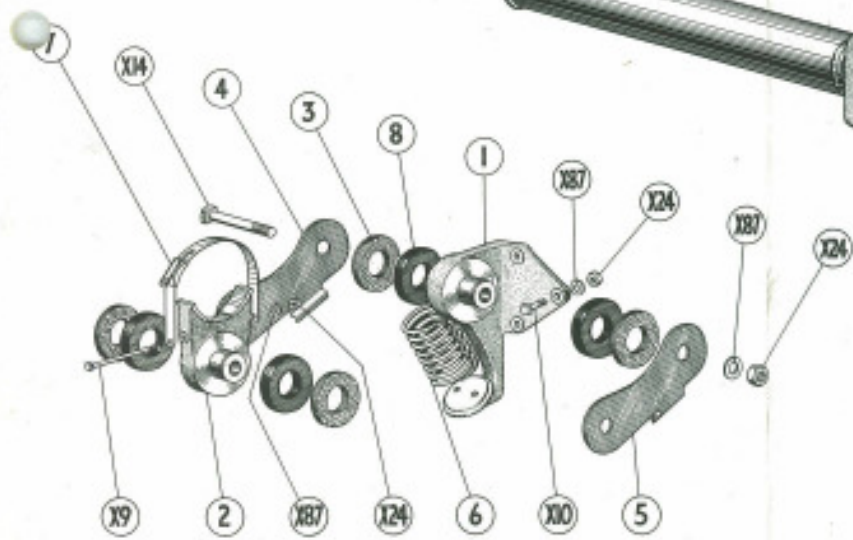
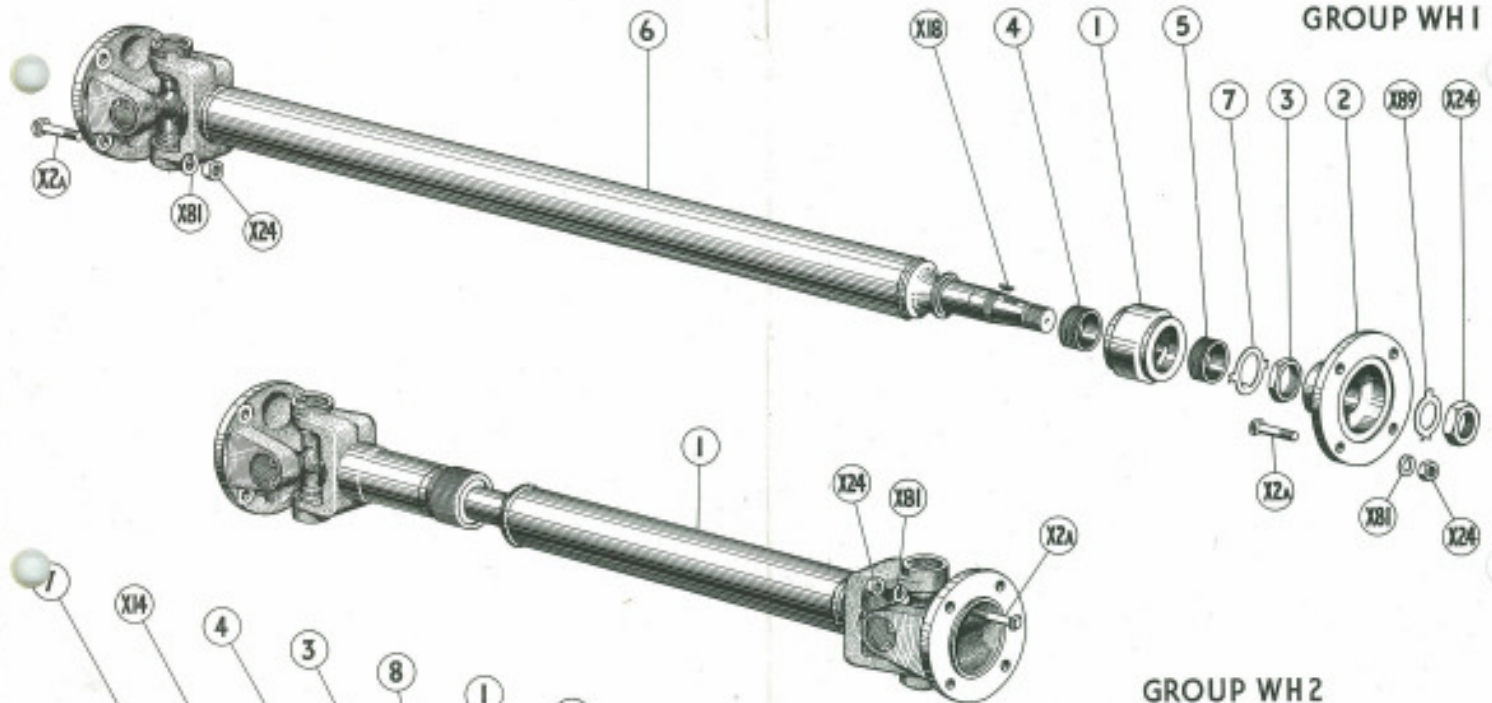
Comprising

BOLT, .437" dia., rear flange	X. 2A	KB 8858/Z	4	
NUT, half, .437" dia., rear flange	X.24	K 4319/Z	4	
SHAFT, propeller assembly, including	1	GB 4444	1	F
Journal assembly		RG 6389	2	
Nipple, Tecalemit, TZ/6		RG 6941	2	
Ring, snap (included in journal assembly)		K 3/7/GB.19	8	
SHAFT, propeller assembly, as above except		RG 6992	1	G
Nipple, Hardy Spicer (Changed thread on shaft)		RG 6940	1	
WASHER, Grover, .437" dia., rear flange		K 4511/Z	4	

GROUP H3. SUPPORT, CENTRE BEARING

Comprising

BOLT, 2 BA, bearing strap retaining	X.9	K 128/Z	1	
BOLT, .250" dia., bracket to frame retaining	X.10	K 206/Z	3	
BOLT, .500" dia., bearing mounting retaining	1A	RG 5991	2	J
BOLT, .500" dia., bearing mounting retaining		K 521/Z	2	H
BRACKETS, bearing support, assembly, consisting of	1	RG 3472	1	
Bearing, Silentbloc		RG 3076	1	
Bracket		RG 3462	1	
Plate, locating		RG 3463	1	
Rivet		KB 1977	2	
CRADLE, bearing assembly, consisting of	2	RG 3471	1	
Bearing, Silentbloc		RG 3076	1	
Cradle		RG 3469	1	
DISC, friction, Ferodo	3	RG 3466	4	
LINK, connecting, L.H.	4	RG 3468	1	
LINK, connecting, R.H.		RG 3467	1	
NUT, half, 2 BA, bearing strap retaining bolt	X.24	K 4307/Z	1	
NUT, half, .250" dia., bracket to frame retaining bolt	X.24	K 4310/Z	3	
NUT, .500" dia., bearing mounting		K 4322/Z	2	H
NUT, castellated, .500" dia., bearing mounting retaining bolt	X.20	KB 3593/Z	2	J
PIN, split, bearing mounting bolt	X.31	K 4614/Z	2	J
SPRING, bearing mounting	6	RG 3464	1	
STRAP, shaft bearing	7	RG 3470	1	
WASHER, compression, rubber	8	RG 3465	4	
WASHER, plain, .250" dia., bracket to frame bolt	X.85	K 4407/Z	3	
WASHER, plain, .500" dia., bearing mounting	X.85	K 4419/Z	2	J
WASHER, spring, 2 BA, bearing strap retaining bolt	X.87	K 9006/Z	1	
WASHER, spring, .250" dia., bracket to frame retaining bolt	X.87	K 9008/Z	3	
WASHER, spring, .500" dia., bearing mounting		K 9012/Z	2	H



GROUP WH3

