

BENTLEYSECTION VH U B S

Containing:-

- GROUP 1. HUB, WHEEL, FRONT, L.H.
2. HUB, WHEEL, FRONT, R.H.
3. HUB, WHEEL, REAR, L.H.
4. HUB, WHEEL, REAR, R.H.

KEY TO CHASSIS NUMBERS

Used on A, B, C, D, E & F series = F
" " B-GT onwards. = G

GROUP V1. HUB, WHEEL, FRONT, L.H.

Comprising

BEARING, ball, inner (Hoffman No. 340) (.000 Fit) or (Fischer No. 6308)	1	RG 4446	1	F
		RG 7081	1	F
BEARING, ball, outer (Hoffman No. MS11) (.000 Fit) or (Fischer No. MS11)	2	RG 4445	1	F
		RG 7077	1	F
BEARING, Timken, inner	3	RG 4910	1	G
BEARING, Timken, outer	4	RG 4911	1	G
COVER, dust and earth contact assembly, consisting of	5	RG 3707A	1	F
Cover		RG 3707	1	
Spring, contact earth		GB 2439	1	
Washer, contact		F 6958	1	
COVER, dust earth contact assembly, consisting of	6	RG 4909	1	G
Cover		RG 3419	1	
Spring, contact earth		RG 1218	1	
Washer, contact earth		F 6958	1	
COVER, oil retaining	7	RG 3743	1	F
COVER, oil retaining	8	RG 4940	1	G
HUB, assembly, consisting of	9	RG 3209A	1	F
Hub, front		RG 3209	1	
Nut, wheel stud retaining		K 4322/Z	5	
Stud, wheel, L.H. thread		GB 4468	5	
HUB, assembly, consisting of		RG 4908	1	*G
Bolt		RG 4201	5	
Hub		RG 4318	1	
HUB, assembly, consisting of	10	RG 7457A	1	@G
Hub		RG 7457	1	
Nut, wheel stud retaining		K 4322/Z	5	
Stud, wheel		GB 4468	5	
NUT, wheel	11	GB 4469	5	
SCREW, retaining air flange	12	RG 4444	3	

NOTE:- * Used when bolts are retained by splines.

@ Used when studs are retained by nuts.

GROUP V2. HUB, WHEEL, FRONT, R.H.

Comprising

BEARING, ball, inner (Hoffman No. 340) (.000 fit)	1	RG 4446	1	F
ball, inner (Fischer No. 6308)		RG 7081	1	F
BEARING, ball, outer, (Hoffman No. MS11) (.000 fit)	2	RG 4445	1	F
ball, outer, (Fischer No. MS11)		RG 7077	1	F
BEARING, Timken, inner	3	RG 4910	1	G
BEARING, Timken, outer	4	RG 4911	1	G
COVER, dust and earth contact assembly, consisting of	5	RG 3707A	1	F
Cover		RG 3707	1	
Spring, contact earth		GB 2439	1	
Washer, contact		F 6958	1	

GROUP V2. (Continued overleaf)

GROUP V2. HUB, WHEEL, FRONT, R.H. (Continued)

COVER, dust and earth contact assembly, consisting of	6	RG 4909	1	
Cover		RG 4319	1	
Spring, contact earth		RG 1218	1	
Washer, contact		F 6958	1	
COVER, oil retaining	7	RG 3742	1	F
COVER, oil retaining	8	RG 4320	1	G
HUB, assembly, consisting of		RG 3208A	1	F
Hub, front	9	RG 3209	1	
Nut, wheel stud retaining		F 4322/Z	5	
Stud, wheel, R.H. thread		GB 3832	5	
HUB, assembly, consisting of		RG 4907	1	*G
Bolt		RG 4200	5	
Hub		RG 4318	1	
HUB, assembly, consisting of	10	RG 7457A	1	OG
Hub		RG 7457	1	
Nut, wheel stud retaining		K 4322/Z	5	
Stud		GB 3832	5	
NUT, wheel	11	GB 4470	5	
SCREW, retaining, disc flange	12	RG 4444	3	

NOTE:- * Used when bolts are retained by splines.
 O Used when studs are retained by nuts.

GROUP V3. HUB, WHEEL, REAR, L.H.

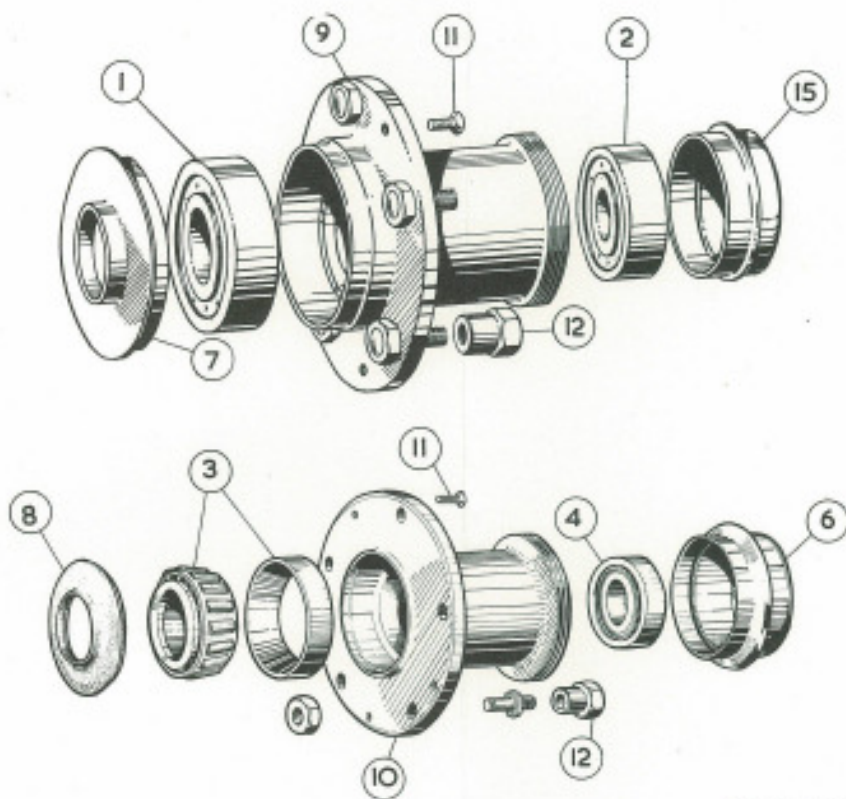
Comprising

HUB, assembly, consisting of	1	RG 7393	1	
Extension		RG 7044	1	
Hub, flange		RG 7394	1	
NUT, wheel, L.H. thread	2	GB 4469	5	
SCREW	3	RG 4444	3	

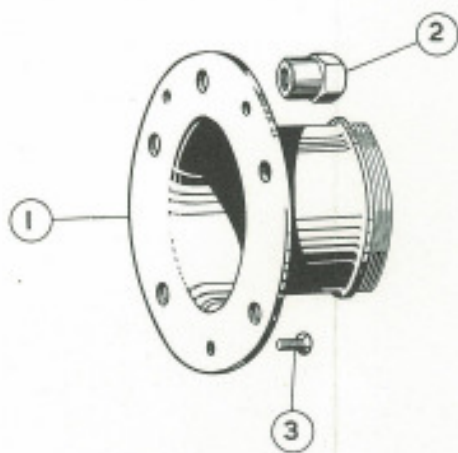
GROUP V4. HUB, WHEEL REAR, R.H.

Comprising

HUB, assembly, consisting of	1	RG 7393	1	
Extension		RG 7044	1	
Hub, flange		RG 7394	1	
NUT, wheel, R.H. thread	2	GB 4470	5	
SCREW	3	RG 4444	3	



GROUP VI & V2



GROUP V3 & V4



BENTLEYSECTION VH U B S

Containing:-

- GROUP 1. HUB, WHEEL, FRONT, L.H.
2. HUB, WHEEL, FRONT, R.H.
3. HUB, WHEEL, REAR, L.H.
4. HUB, WHEEL, REAR, R.H.

KEY TO CHASSIS NUMBERS

Used on A, B, C, D, E & F series = F
" " B-GT onwards. = G

GROUP V1. HUB, WHEEL, FRONT, L.H.

Comprising

BEARING, ball, inner (Hoffman No. 340) (.000 Fit) or (Fischer No. 6308)	1	RG 4446	1	F
		RG 7081	1	F
BEARING, ball, outer (Hoffman No. MS11) (.000 Fit) or (Fischer No. MS11)	2	RG 4445	1	F
		RG 7077	1	F
BEARING, Timken, inner	3	RG 4910	1	G
BEARING, Timken, outer	4	RG 4911	1	G
COVER, dust and earth contact assembly, consisting of	5	RG 3707A	1	F
Cover		RG 3707	1	
Spring, contact earth		GB 2439	1	
Washer, contact		F 6958	1	
COVER, dust earth contact assembly, consisting of	6	RG 4909	1	G
Cover		RG 3419	1	
Spring, contact earth		RG 1218	1	
Washer, contact earth		F 6958	1	
COVER, oil retaining	7	RG 3743	1	F
COVER, oil retaining	8	RG 4940	1	G
HUB, assembly, consisting of	9	RG 3209A	1	F
Hub, front		RG 3209	1	
Nut, wheel stud retaining		K 4322/Z	5	
Stud, wheel, L.H. thread		GB 4468	5	
HUB, assembly, consisting of		RG 4908	1	*G
Bolt		RG 4201	5	
Hub		RG 4318	1	
HUB, assembly, consisting of	10	RG 7457A	1	@G
Hub		RG 7457	1	
Nut, wheel stud retaining		K 4322/Z	5	
Stud, wheel		GB 4468	5	
NUT, wheel	11	GB 4469	5	
SCREW, retaining air flange	12	RG 4444	3	

NOTE:- * Used when bolts are retained by splines.

@ Used when studs are retained by nuts.

GROUP V2. HUB, WHEEL, FRONT, R.H.

Comprising

BEARING, ball, inner (Hoffman No. 340) (.000 fit)	1	RG 4446	1	F
ball, inner (Fischer No. 6308)		RG 7081	1	F
BEARING, ball, outer, (Hoffman No. MS11) (.000 fit)	2	RG 4445	1	F
ball, outer, (Fischer No. MS11)		RG 7077	1	F
BEARING, Timken, inner	3	RG 4910	1	G
BEARING, Timken, outer	4	RG 4911	1	G
COVER, dust and earth contact assembly, consisting of	5	RG 3707A	1	F
Cover		RG 3707	1	
Spring, contact earth		GB 2439	1	
Washer, contact		F 6958	1	

GROUP V2. (Continued overleaf)

GROUP V2. HUB, WHEEL, FRONT, R.H. (Continued)

COVER, dust and earth contact assembly, consisting of	6	RG 4909	1	
Cover		RG 4319	1	
Spring, contact earth		RG 1218	1	
Washer, contact		F 6958	1	
COVER, oil retaining	7	RG 3742	1	F
COVER, oil retaining	8	RG 4320	1	G
HUB, assembly, consisting of		RG 3208A	1	F
Hub, front	9	RG 3209	1	
Nut, wheel stud retaining		F 4322/Z	5	
Stud, wheel, R.H. thread		GB 3832	5	
HUB, assembly, consisting of		RG 4907	1	*G
Bolt		RG 4200	5	
Hub		RG 4318	1	
HUB, assembly, consisting of	10	RG 7457A	1	OG
Hub		RG 7457	1	
Nut, wheel stud retaining		K 4322/Z	5	
Stud		GB 3832	5	
NUT, wheel	11	GB 4470	5	
SCREW, retaining, disc flange	12	RG 4444	3	

NOTE:- * Used when bolts are retained by splines.
 O Used when studs are retained by nuts.

GROUP V3. HUB, WHEEL, REAR, L.H.

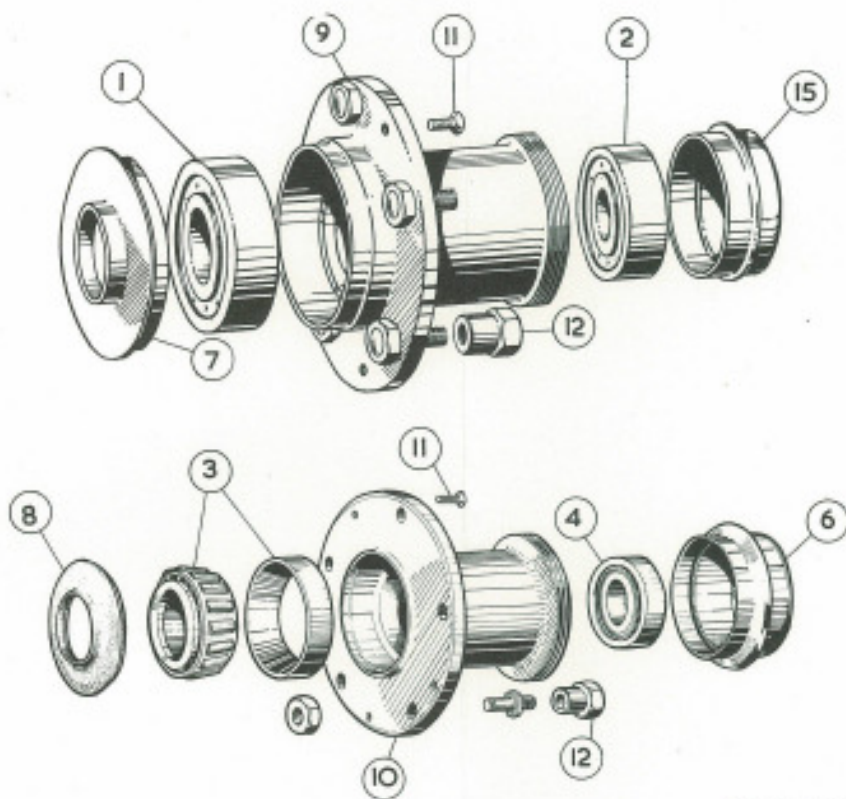
Comprising

HUB, assembly, consisting of	1	RG 7393	1	
Extension		RG 7044	1	
Hub, flange		RG 7394	1	
NUT, wheel, L.H. thread	2	GB 4469	5	
SCREW	3	RG 4444	3	

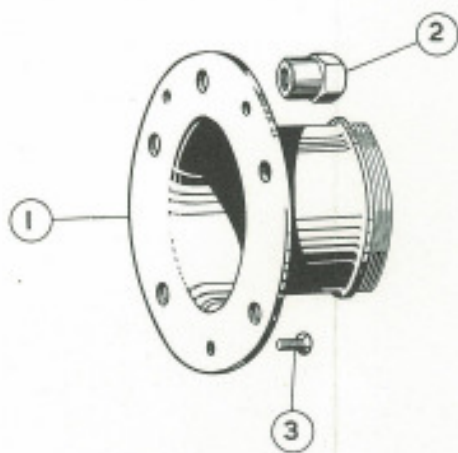
GROUP V4. HUB, WHEEL REAR, R.H.

Comprising

HUB, assembly, consisting of	1	RG 7393	1	
Extension		RG 7044	1	
Hub, flange		RG 7394	1	
NUT, wheel, R.H. thread	2	GB 4470	5	
SCREW	3	RG 4444	3	



GROUP VI & V2



GROUP V3 & V4

