

BENTLEYSECTION TWHEELS & TYRES

Containing:

- GROUP 1. SIDE SPARE WHEEL CARRIER.
2. TYRES.
3. ROAD WHEEL.

KEY TO CHASSIS NOTES:

Used on	A, B & C Series	= F
Used on	D Series onwards	= G
Used on	A,B,C,D,E & F Series	= H
Used on	G Series onwards	= J

GROUP T1. CARRIER, SIDE, SPARE WHEEL.

Comprising:

BOLT, hub, assembly, consisting of:		RF.5196	1	F
Bolt, sub-assembly, with collar and pin		RF.5170	1	
Handle		RF.4292	1	
Plate, retaining, sub-assembly.		RF.5167	1	
Washer, bevelled.		RF.6274	1	
BOLT, hub, assembly, consisting of:	1	RF.6263	1	G+
Bolt, sub-assembly, with collar and pin.	2	RF.6264	1	
Handle	3	RF.4292	1	
Plate, retaining, sub-assembly.	4	RF.5167	1	
Washer, bevelled.	5	FB.4002	1	
Washer, F.S. .500" dia.	X.87	K. 9012/Z	1	
BOLT, hub, extension, plate, retaining, assembly	6	RF.6427	1	GØ
Bolt, hub.	7	RF.6421	1	
Plate, retaining, sub-assembly.	8	RF.6424	1	
Plate, retaining, support, sub-assembly.		RF.6425	1	
Washer, bevelled.		FB.4002	1	
Washer, F.S. .500" dia.	X.87	K. 9012/Z	1	
BOLT, .250" dia. wheel support bracket.	X.10	KA. 203/Z	4	
BOLT, .375" dia. brackets to frame	X.12	K. 406/Z	4	
BOLT, .375" dia. side stay to front frame	X.12	K. 406/Z	1	
BOLT, .375" dia. distance piece, tube, long	X.12	K. 434/Z	1	
BOLT, .375" dia. distance piece, tube, short	X.12	K. 430/Z	1	
BRACKET, frame to tube, front		RF.5172	1	F
BRACKET, frame to tube, rear.		RF.5173	1	F
BRACKET, hook to wing front		RB.3336	1	F
BRACKET, hook to wing rear.		RB.3854	1	F
BRACKET, side spare wheel carrier	9A	RF.5884	1	G
BRACKET, wheel support		RF.5174	1	F
BRACKET, stiffener, frame to tube, front, assembly	10	RF.6267	1	G
BRACKET, stiffener, frame to tube, rear, assembly	11	RF.6270	1	G
BUFFER, cover assembly, consisting of:		RB.3849A	2	F
Bracket.		RB.3850	1	
Buffer.		RB.3849	1	
COVER, wheel assembly, consisting of:		RB.3550A	1	F
Bead.		RB.3846	1	
Cap, hub, with fixing clips.		RB.3544	1	
Moulding.		RB.3851	1	
Tape.		RB.3858	1	
PASTENER, cover, assembly.		RB.3545	2	F
GROMMET, rubber, fastener hook.		RB.3839	2	F

GROUP T1. (Continued overleaf)

GROUP T1. CARRIER, SIDE, SPARE WHEEL (Contd.)

HOOK, cover, fastener assembly, consisting of:		RB.3543	2	F
Casing, spring.		RB.3842	1	
Casing, top.		RB.3841	1	
Hook.		RB.3840	1	
Spring.		RB.3843	1	
HUB, dummy, spare wheel.		RF.6275	1	
HUB, dummy, spare wheel.	12	RF.5891	1	G+
HUB, dummy, spare wheel with locating peg.	13	RF.6446	1	GØ
NUT, .250" dia. bracket to wing, retaining.		F.87189	4	F
NUT, 2 BA, buffer brackets to cover.		CS.5506	4	F
NUT, 2 BA, toggle fastener to cover.		CS.5506	4	F
NUT, .250" dia. B.S.F. wheel well to carrier bracket.		CS.5508	2	F
NUT, .250" dia. bracket, wheel support.	X.24	K. 4310/Z	4	F
NUT, .375" dia. bracket to frame, front and rear.	X.24	K. 4316/Z	4	
NUT, .375" dia. distance piece, tube.	X.24	K. 4316/Z	2	
NUT, .375" dia. side stay, front and rear.	X.24	K. 4316/Z	1	
PACKING, wheel well to carrier bracket.		RB.3848	1	F
PIECE, distance, side stay.	14	DB.1356	2	
SCREW, .250" dia. hex.head bracket to wing.		CS.2004	4	F
SCREW, 2 BA, Hex.head fastener hook to bracket.		CS.30582	4	F
SCREW, 2 BA, hex.head fastener hook to cover.		CS.30581	4	F
SCREW, 2 BA, hex.head buffer brackets to cover.		CS.30581	4	F
SCREW, 2 BA, wheel well to carrier bracket.		CS.30921	2	F
STAY, side, support tube front bracket.		RF.5176	1	F
STAY, side, support tube front bracket.	15	RF.5885	1	G
TUBE, support, assembly.		RF.5163	1	F
TUBE, support, assembly.	16	RF.5878	1	G
WASHER, plain, .250" dia. wheel support bracket.	X.85	K. 4407/Z	4	
WASHER, plain, .250" dia. wheel well to carrier bracket.		CS.6504	2	F
WASHER, P.S. .250" dia. wheel well to carrier bracket.		CS.6708	2	F
WASHER, FS. .250" dia. wheel support bracket.	X.87	K. 9008/Z	4	
WASHER, FS. 2 BA, bracket to wing retaining.		CS.6708	4	F
WASHER, FS. 2 BA, bracket to toggle hook.		CS.6706	4	
WASHER, FS. 2 BA, fastener to cover.		CS.6706	4	
WASHER, FS. 2 BA, buffer brackets to cover.		CS.6706	4	
WASHER, FS. .375" dia. bracket to frame.		K. 9010/Z	4	
WASHER, FS. .375" dia. distance piece tube.		K. 9010/Z	2	
WASHER, FS. .375" dia. side stay front, frame.		K. 9010/Z	1	

NOTE: + Used when coachbuilder provides a complete wheel cover.

Ø Used when coachbuilder does not provide a complete wheel cover.

The above parts are required when carrier is fitted on R/H side of car. If carrier is fitted on L/H side, parts are as above except:

RF.6304	Bracket stiffener, front, replaces	RF.6267
RF.6306	Bracket stiffener, rear, replaces	RF.6270

GROUP T2. TYRES.

Comprising:

Tyre, 6.500" x 16.000" India Super Silent.	RE.10430	5	
Tyre, 6.500" x 16.000" India Super Silent. (White Wall)	RE. 6255	5	

GROUP T3. WHEEL, ROAD (4 off per Chassis)

Comprising:

BOLT, .312" dia. balance weight.	X.11	K. 315/Z	3	H
BOLT, .250" dia. balance weight.	X.10	K. 209/Z	4	J
CAP, hub and disc assembly, consisting of:		RG.6336	1	+
Cap.		RG.3437	1	
Disc, wheel, inner.		RG.3436	1	
Disc, wheel, outer.		RG.3283	1	
Ring, retaining		RG.3440	1	
Tube, threaded.		RE.10618	1	
CAP, hub and disc assembly, consisting of:	1	RG.6544	1	Ø
Cap, hub.	2	RG.6483	1	
Disc, wheel, inner.	3	RG.6470	1	
Disc, wheel, outer.	4	RG.6543	1	
Disc, wheel, centre.	5	RG.6476	1	
Ring, retaining.	6	RG.6342	1	
Ring, sealing.	7	RG.6956	1	
Tube, threaded		RE.7045	1	
Washer.	8	RG.6469	1	
CAP, hub and disc assembly as above except:		RG.7486	1	⊗
Disc, wheel, inner.		RG.7484	1	
Disc, wheel, outer.		RG.7483	1	
DRUM, brake, assembly, front and rear, consisting of:		RG.3212A	1	H
Drum.		RG.3212	1	
Plate		RG.3691	1	
DRUM, brake, assembly (front) consisting of:	9	RG.6780A	1	J
Drum		RG.6780	1	
Plate		RG.6778	1	
DRUM, brake, assembly (rear) consisting of:		RG.6018A	1	J
Drum		RG.6018	1	
Plate		RG.3691	1	

GROUP T3. (Continued Overleaf)

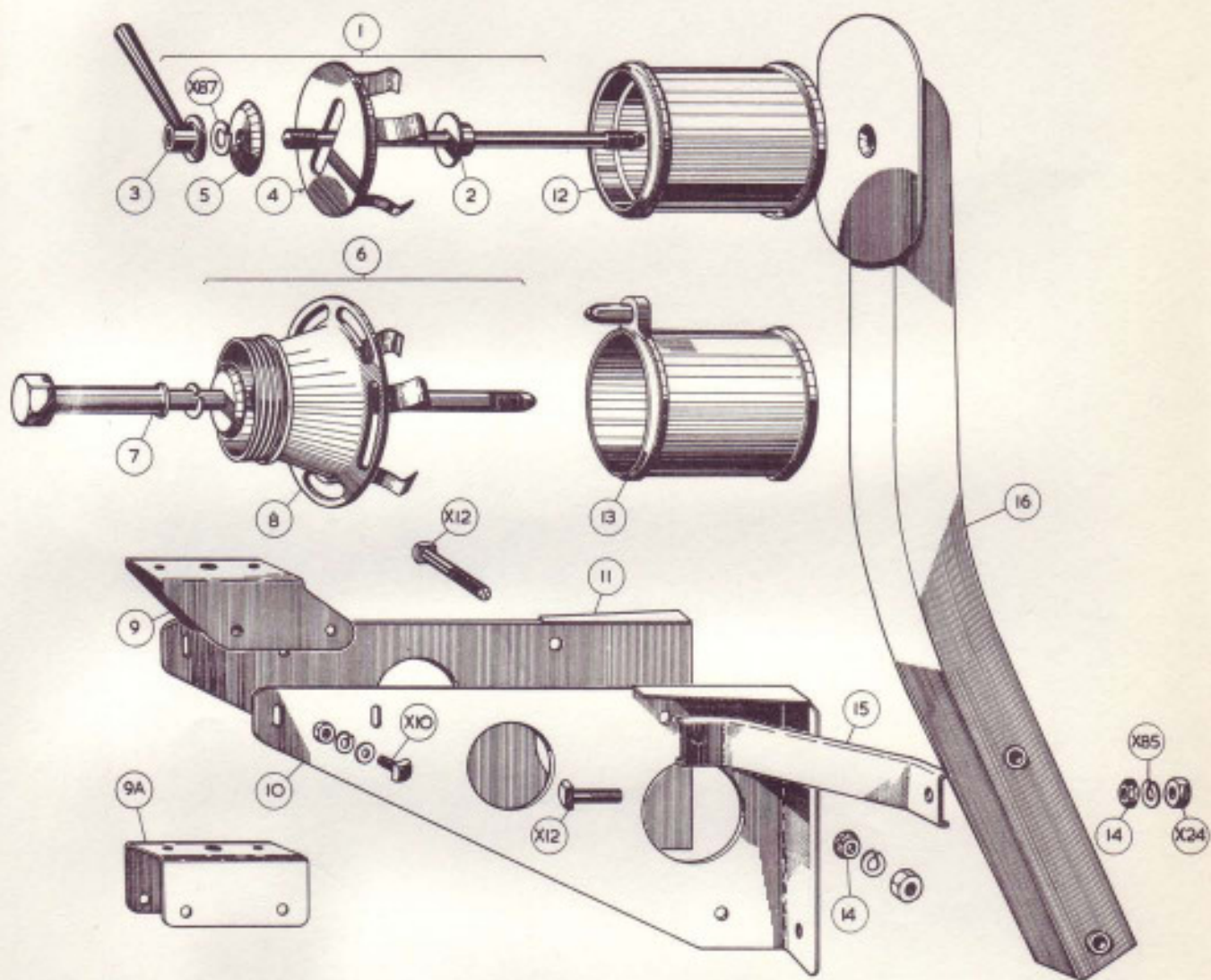
GROUP T3. WHEEL, ROAD (4 off per Chassis). Contd.

NUT, .312" dia. balance weight.	X.24	K.4313/Z	6	H
NUT, .250" dia. balance weight.	X.24	K.4310/Z	4	J
PAD, wheel, disc. .687" long	10	RG.3438	3	+
PAD, wheel, disc. .800" long		RG.4397	3	+
PAD, wheel, disc. .875" long		RG.4398	3	+
PAD, wheel, disc. .950" long		RG.5801	3	+
PAD, wheel, disc. .475" long		RG.5354	3	+
PAD, wheel, disc. .550" long		RG.5355	3	+
PAD, wheel, disc. .625" long		RG.5356	3	+
PAD, wheel, disc. .687" long		RG.6473	6	∅
PAD, wheel, disc. .800" long		RG.6474	6	∅
PAD, wheel, disc. .875" long		RG.6475	6	∅
PAD, wheel, disc. .625" long		RG.6547	6	∅
PAD, wheel, disc. .750" long		RG.7158	6	∅
WASHER, balance weight, fibre		RG.3219	18	H
WASHER, balance weight, steel.		RG.3239	9	H
WASHER, balance weight, plain	X.85	K. 4407/Z	4	J
WASHER, balance weight, grover.	X.81	K. 4508/Z	4	J
WEIGHT, balance.		RG.3218	12	H
WEIGHT, balance.	11	RG.6016	8	J
WHEEL, road (5 x 16 to suit 6.5 x 16 tyres) assembly, consisting of:		RG.4437A	1	H
Plate		RG.4437	1	
Rim		RG.4438	1	
WHEEL, road (5 x 16 to suit 6.5 x 16 tyres) assembly, consisting of:	12	RE.10462A	1	J
Plate		RE.10463	1	
Rim		RE.10462	1	

NOTE: + Early type disc fitted from A - F Series.

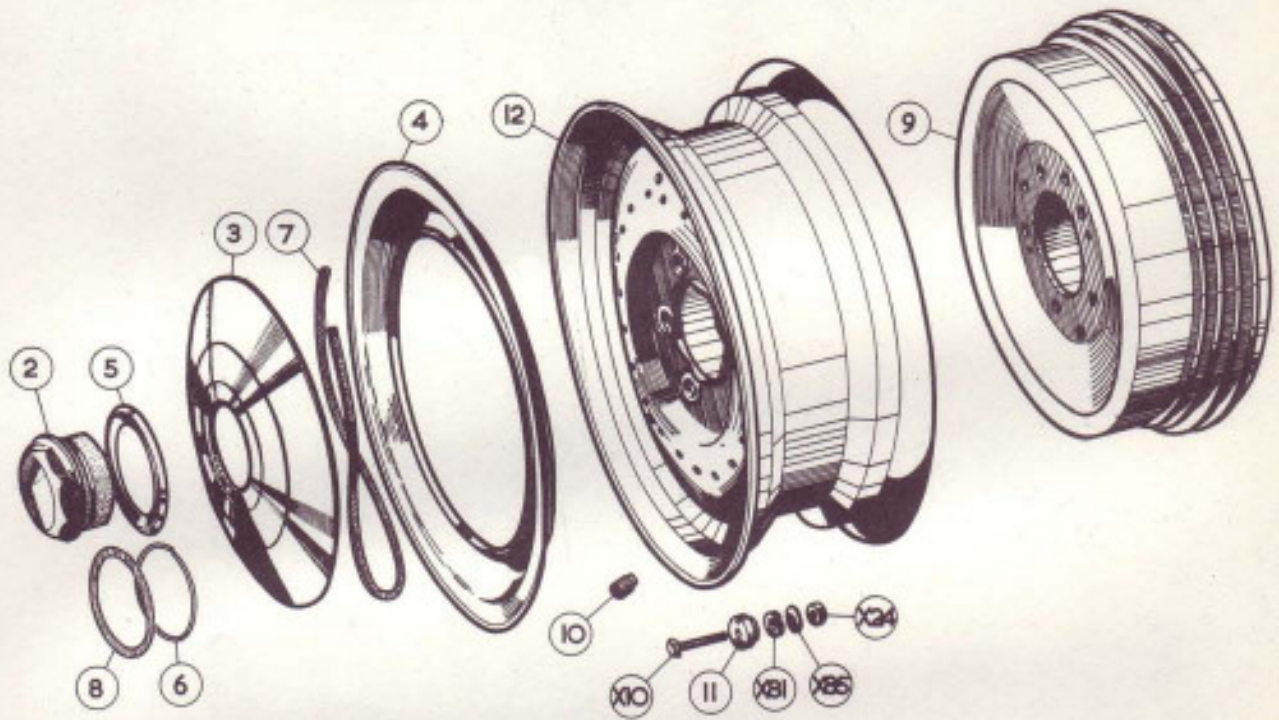
∅ ACE super silent discs fitted from Chassis G Series onwards and on earlier cars at customer's request (chromium plate discs).

⊗ ACE super silent discs fitted from Chassis G Series onwards and on earlier cars at customer's request (aluminium discs).



GROUP T1





GROUP T3

